

# ACCORDION SPECIFICATIONS

Metric dimensions are in [ ]

## Construction

Accordion doors consist of two laminated covers assembled to steel pantographs supported by aluminum covered steel channel posts at each end.

Covers are semi-rigid 5-ply laminated construction for wrinkle-free impact resistance.

Model 1500 – Covers have fiberboard strips and backing laminated within each fold. Model 2000 is the same as Model 1500 with the addition of sweep strips top and bottom of one side. Model 3100 has multi-ply sweep strips at top and bottom of both sides and fiberglass laminated within each fold. The jamb is equipped with Magnaseal® magnetic contact latch. Series 3500-4500 are similar to the 3100 but have Steelcor laminated within each fold to achieve the acoustical ratings.

## Suspension System

Accordion doors are supported by nylon-tired steel ball bearing carriers. The track is clear anodized aluminum. Curves and switches are available to enable the doors to be used or stored in alternate or remote locations.

## Finishes

The standard finish is factory applied vinyl from Hufcor's standard vinyl selector. Premium carpet, fabric, or pre-approved custom finishes are available.

## Acoustics

The partitions have been tested by an independent acoustical consultant at a laboratory accredited by the National Bureau of Standards in accordance with ASTM E90.

## Operation

Standard partitions are manually operated. Electric operation is available.

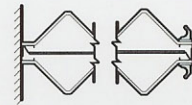
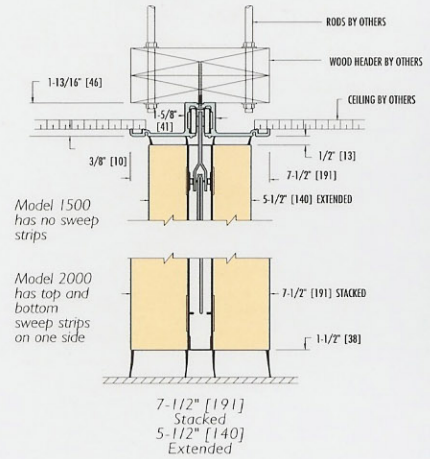
## ISO Registration

Hufcor U.S. manufacturing facilities' quality system is registered to the ISO 9001 standards.

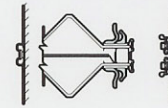
## Warranty

Partitions are guaranteed for two years and the pantographs, trolleys, and tracks are guaranteed for 10 years.

## MODELS 1500-4500



1500-2000  
Anchor & Lead Post  
with Jamb Molding



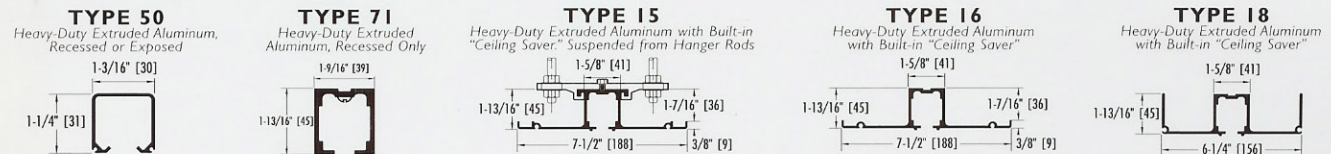
3100-4500  
Lead Post with  
Magnaseal® Latching

## CHART A ACCORDION MODEL SELECTOR

Model	STC <sup>1</sup> Rating	Lbs./Sq. Ft. [Kg/Sq. M]	Stack Dimensions <sup>2</sup>
1500	15 (est)	1.3 [6.3]	1.4\"/>

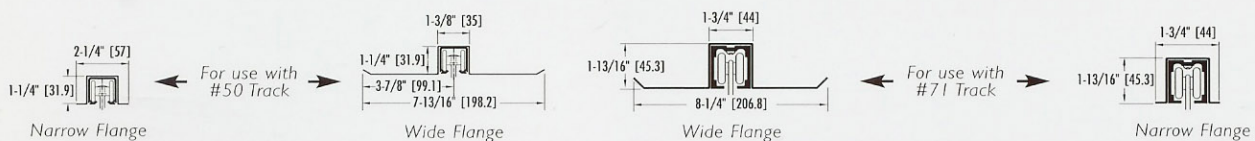
<sup>1</sup> Sound Transmission Class. <sup>2</sup> Add 30% to stack dimension for carpet. Carpet provides .55 NRC rating. Single Door Maximum Width 40\"/>

## ACCORDION TRACK SYSTEMS



Track Types	Type 50	Type 71	Types 15 & 16	Type 18
Series 1500-2000	Standard 40' x 17' [12.12 x 5.15]	Optional All Sizes	Optional All Sizes	Optional All Sizes
Series 3100-3500, 3900	Optional to 30' x 9' [9.09 x 2.72]	Standard All Sizes	Optional All Sizes	Optional All Sizes
Series 4500	Not Available	Standard All Sizes	Optional All Sizes	Optional All Sizes

Channel: Optional, but recommended for recessed installations. Channel provides smooth, straight ceiling lines; aids track installations. Flanges on both sides protect ceiling. Primed off-white.



Note: metric dimensions are in [ ]